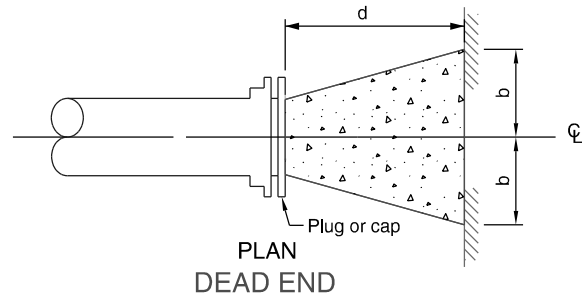
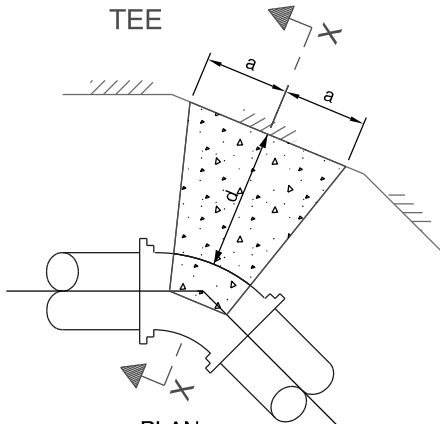


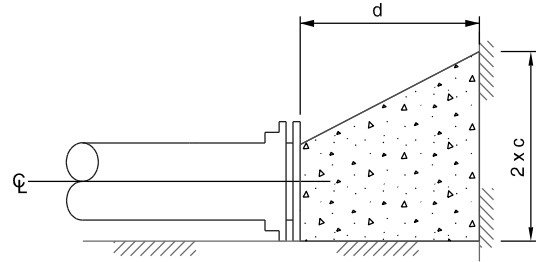
PLAN TEE



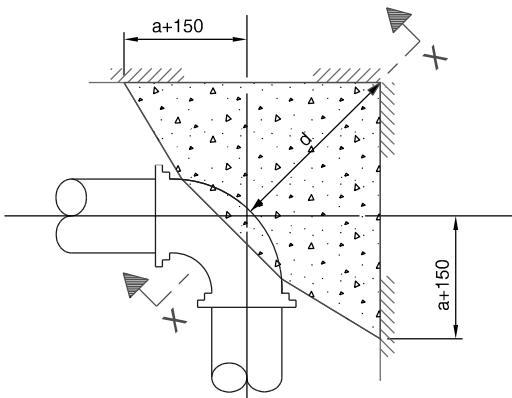
PLAN DEAD END



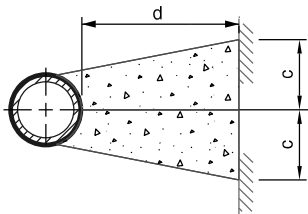
PLAN TYPICAL BEND



ELEVATION DEAD END



PLAN 90° BEND



SECTION X-X

MINIMUM DIMENSIONS (mm)

PIPE SIZE	a	b	c	d
100	150	150	150	600
150	250	250	200	600
200	250	300	200	600
250	350	400	250	600
300	450	450	300	600
350	500	550	400	600
400	500	550	500	600
450	550	550	500	600

NOTES:

A Concrete shall be placed to within 50mm of the face of the bell.

B Polyethylene bond breaker to be used between concrete and fittings.

C This blocking design applies only where 1050kPa pressure is not exceeded.

D This blocking design applies where the soil has a minimum soil bearing capacity of 200kPa.

E All dimensions are in millimetres or metres unless otherwise shown.

F All thrust blocks to be poured against undisturbed soil as indicated.

G For 500mm and 600mm Pipes - See drawings A1734M; A1735M; A1737M and A1738M

PETERBOROUGH UTILITIES SERVICES INCORPORATED

TITLE	CONCRETE THRUST BLOCKS FOR TEES, PLUGS, AND HORIZONTAL BENDS	No.	REVISION	DATE
		1.	ADD NOTES F & G REVISE CHART	05 MAY 2000
DRAWN BY	<i>Steve Bellinger</i>	SCALE	NOT TO SCALE	DRAWING No. CADD A1719
DESIGNED		JOB COST		
APPROVED	<i>[Signature]</i>	DATE	05 MAY 2000	