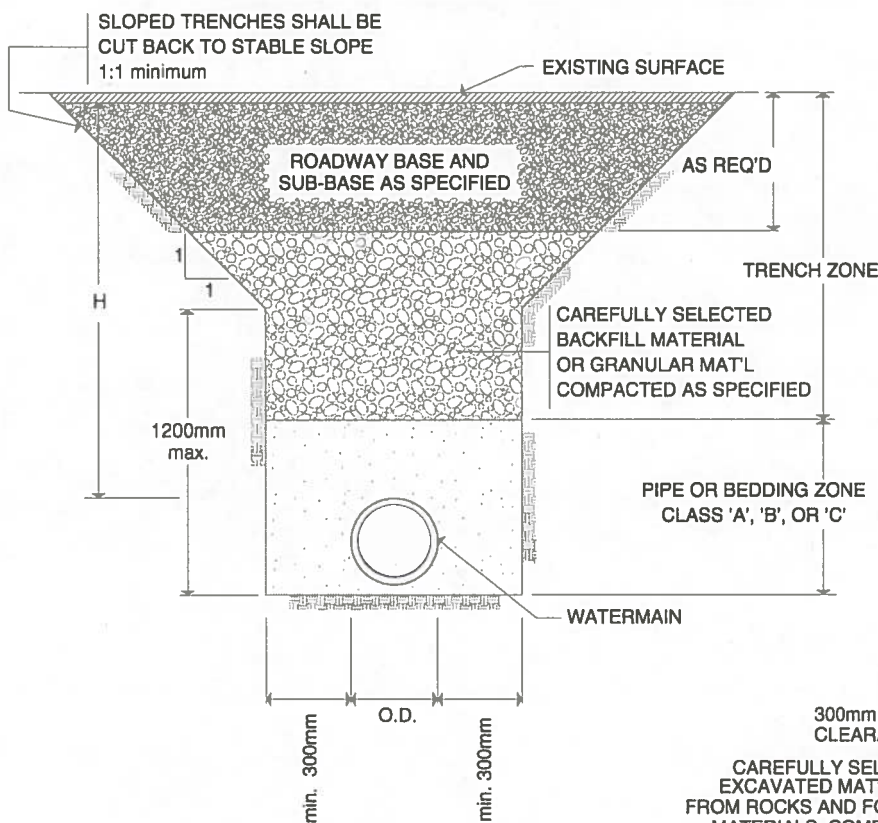


**CLASS 'A'
GRANULAR FOUNDATION (P.V.C. PIPE)**

**CLASS 'B'
GRANULAR FOUNDATION
(UPGRADED BEDDING)**



TYPICAL TRENCH SECTION

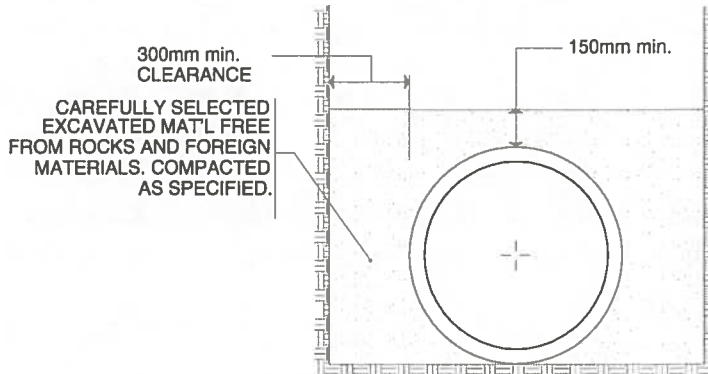
LEGEND:

- O.D. - OUTSIDE DIAMETER OF PIPE
- H - BACKFILL COVER OVER TOP OF PIPE

NOTE: ALL DIMENSIONS IN mm UNLESS OTHERWISE NOTED.

FOR ROCK, THE TRENCH SHALL BE EXCAVATED TO A MINIMUM OF 150mm BELOW THE PIPE AND REFILLED WITH GRANULAR MATERIAL.

**CLASS 'C'
GRANULAR FOUNDATION
ORDINARY BEDDING**



PETERBOROUGH UTILITIES SERVICES INCORPORATED

TITLE	WATERMAIN BEDDING AND COVER DETAILS	No.	REVISION	DATE
		1.		
DRAWN BY	<i>Steve Billix CET</i>	SCALE	NOT TO SCALE	
DESIGNED	<i>Paul DePaul</i>	JOB COST	DRAWING No.	
APPROVED	<i>A. Long</i>	DATE	02 MAY 2000	
		CADD A1769		