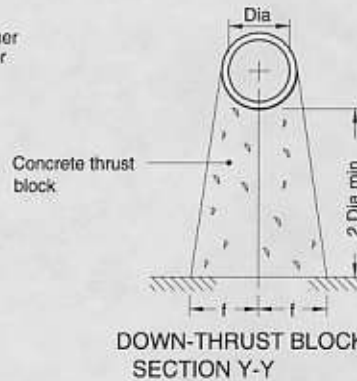
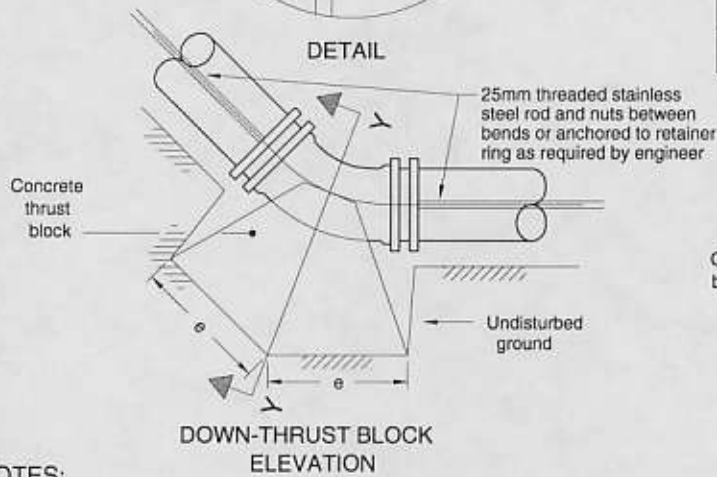


MINIMUM DIMENSIONS mm						
PIPE SIZE	a	b	c	d	e	f
100	450	600	750	13	150	150
150	600	900	900	13	300	200
200	600	900	1500	13	450	200
250	900	900	1500	20	600	250
300	1200	900	1650	20	800	300
350	1200	1200	1650	25	1000	400



NOTES:

- A Concrete shall be placed to within 50mm of the face of the bell.
- B Polyethylene bond breaker to be used between concrete and fittings.
- C This blocking design applies only where 1050kPa pressure is not exceeded.
- D This blocking is for bends up to 45 only.
- E This blocking design applies where the soil has a minimum soil bearing capacity of 200kPa.

- F All dimensions are in millimetres unless otherwise shown.
- G This detail applies to vertical bends greater than 45 degrees or w/m greater than 300mm in dia. For w/m 300mm or less, use stainless steel rod, field bent in place of stainless steel strap.
- H All thrust blocks to be poured against undisturbed soil as indicated

PETERBOROUGH UTILITIES SERVICES INCORPORATED

TITLE	No.	REVISION	DATE
CONCRETE THRUST BLOCKS FOR VERTICAL BENDS	1.		
	2.		
DRAWN BY <i>Steve Billing</i>	SCALE	NOT TO SCALE	
DESIGNED <i>[Signature]</i>	JOB COST	DRAWING No.	
APPROVED <i>[Signature]</i>	DATE	04 MAY 2000	
		CADD A2200	