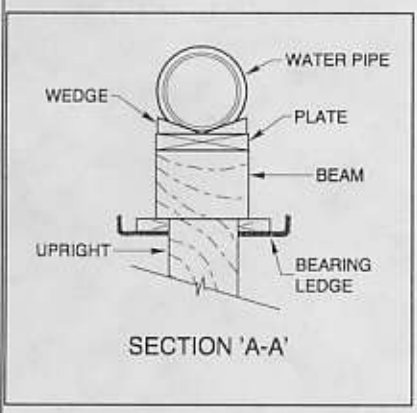
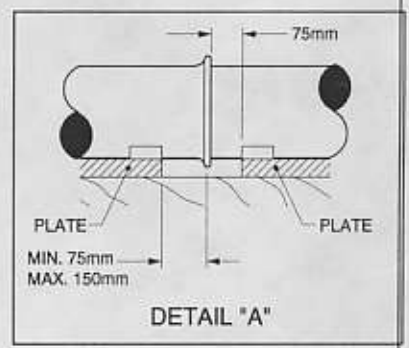


TRENCH SECTION

NOTES

- 1) TIMBER TO BE LEFT IN PLACE WHEN BACKFILLING THE TRENCH.
- 2) GRADE OF THE UTILITY TO BE MAINTAINED ACROSS THE WIDTH OF THE EXCAVATION
- 3) ALL TIMBER MEMBERS TO BE NAILED TOGETHER.
- 4) 50mm x 150mm DIAGONAL BRACING TO BE USED WHEN THE DEPTH OF THE UPRIGHTS EXCEEDS 2400mm OR WHEN THE UPRIGHTS ARE NOT SUPPORTED BY THE TRENCH WALL.
- 5) TRENCH WALL NOT TO BE MORE THAN 1800mm BEHIND THE UPRIGHTS.
- 6) THIS STANDARD IS NOT APPLICABLE FOR SUPPORTING CEMENT ASBESTOS WATERMAIN PIPE.



ALL DIMENSIONS ARE EXPRESSED IN mm UNLESS OTHERWISE NOTED.

SIZE OF EXISTING PIPE	B BEAM	C PLATE	D UPRIGHT	E SILL
38, 50, & 100	150 x 150	73 x 200	100 x 200	50 x 200 x 600
150	200 x 200	73 x 200	150 x 150	50 x 200 x 600
200	230 x 230	73 x 200	150 x 150	50 x 200 x 600
250 x 300	300 x 300	73 x 200	200 x 200	50 x 200 x 600

PETERBOROUGH UTILITIES SERVICES INCORPORATED

TITLE		No.	REVISION	DATE
TYPICAL DETAIL FOR SUPPORTING WATER PIPE 300mm AND SMALLER		1.		
		2.		
DRAWN BY <i>Steve Billings</i>	SCALE NOT TO SCALE	DRAWING No. CADD A2372		
DESIGNED <i>[Signature]</i>	JOB COST			
APPROVED <i>[Signature]</i>	DATE 25 ARP. 2000			