

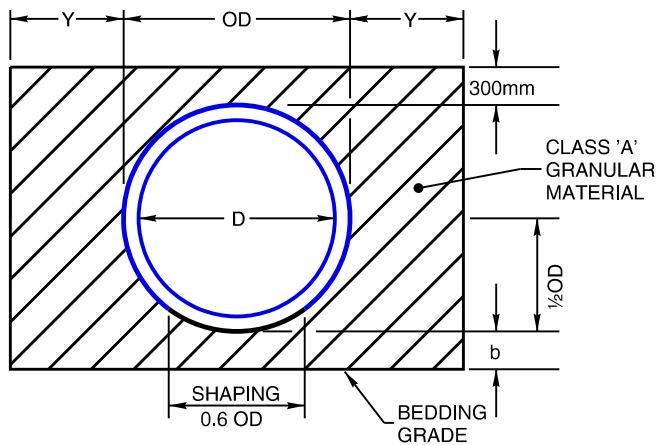
CLASS A

NOTES

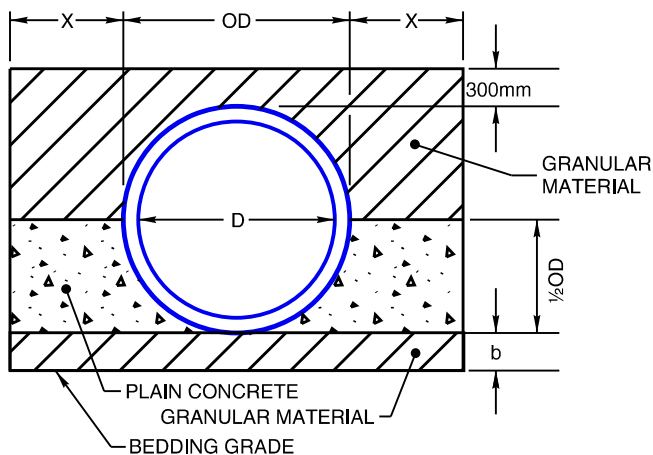
1. OD. DOES NOT INCLUDE BELL
2. CONCRETE FOR CLASS 'A' & 'B' -17 Mpa
3. GRANULAR MATERIAL AS SELECTED BY ENGINEER
4. COMPACTION: BEDDING CLASS 'A' & 'B'-100% PROCTOR
:BEDDING CLASS 'C'-95% PROCTOR

LEGEND

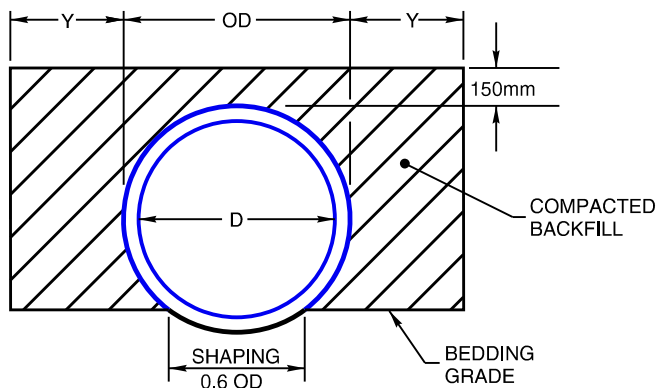
- a = D/4 or 150mm. MIN. (IN ROCK 150mm.)
- b = 150mm. MIN. PLUS 13mm. FOR EACH 300mm. OF FILL (MEASURED FROM TOP OF PIPE) IN EXCESS OF 5m.
- X = 150mm. MIN. (D 900mm. OR LESS)
225mm. MIN. (D 975mm. TO 1500mm. INC.)
300mm. MIN. (D 1500mm. OR OVER)
- Y = 375 mm. MIN. (D 1200mm. OR LESS)
600mm. OR D/3 FOR D>1200mm.



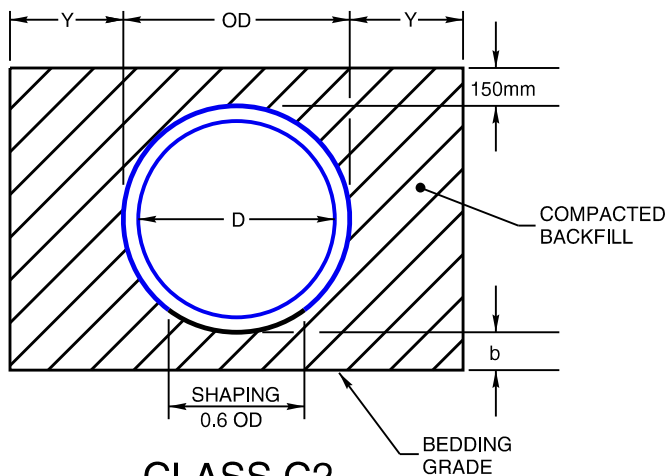
CLASS B1



CLASS B2



CLASS C1



CLASS C2

PETERBOROUGH UTILITIES COMMISSION

TITLE PIPE BEDDING DETAILS		SCALE NOT TO SCALE
DRAWN BY <i>Steve Kelly</i>		JOB COST
DESIGNED <i>Allyson</i>	APPROVED <i>Allyson</i>	DRAWING No.
DATE 11 MAY 2000	CADD	A2390