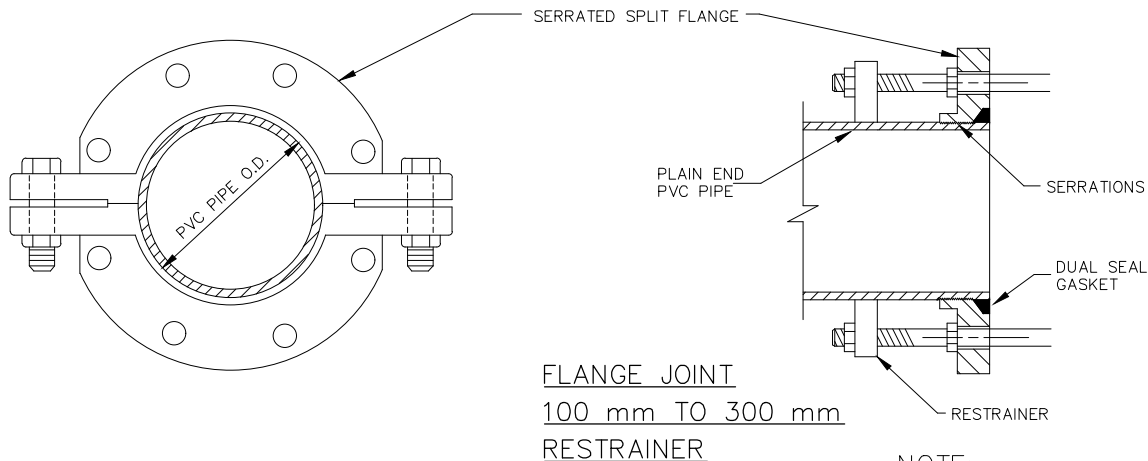
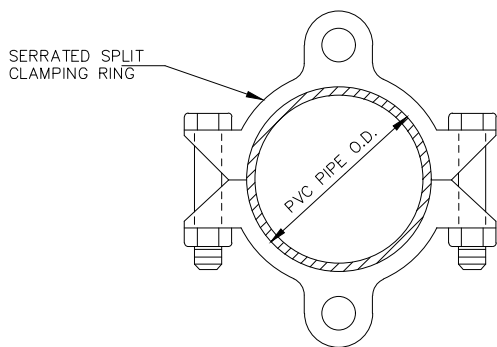


N.T.S.



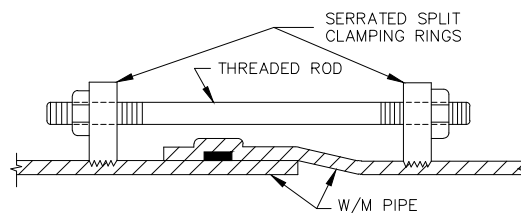
NOTE:  
ANY CONNECTION TO OTHER  
FLANGED PIPE REQUIRES AN  
ADDITIONAL RESTRAINER TO  
THE W/M PIPE.



MECHANICAL JOINT  
100 mm TO 300 mm  
RESTRAINER

NOTES:


1. ALL BOLTS AND NUTS SHALL BE CORE-TEN STEEL OR EQUIVALENT.
2. REFER TO STANDARD DWG. A2731 FOR LENGTH OF JOINTS TO BE RESTRAINED.
3. ONE 5.4kg ZINC ANODE IS TO BE INSTALLED ON EACH RESTRAINER.
4. ANODE WIRE TO BE FASTENED TO RESTRAINER UNDER A NUT ON THE RESTRAINER
5. MINIMUM HORIZONTAL DISTANCE BETWEEN ANODES 1.0 m.
6. REFER TO APPROVED MANUFACTURERS PRODUCTS [www.peterboroughutilities.ca](http://www.peterboroughutilities.ca)



BELL JOINT  
100 mm TO 300 mm  
RESTRAINER

# PETERBOROUGH UTILITIES COMMISSION

## STANDARD WATERWORKS DRAWING

|   |             |  |            |                     |            |
|---|-------------|--|------------|---------------------|------------|
|  | TITLE       | RESTRAINED JOINT DETAIL<br>FOR PVC WATERMAIN | No.        | REVISION            | DATE       |
|   |             |  | 1.         | UPDATED TITLE BLOCK | 2023-11-03 |
|   |             |  | 2.         |                     |            |
| DRAWN BY  | S. BILLINGS | APPROVED                                     | A2730      |                     |            |
| DESIGNED  | S. BILLINGS | DATE:  | 03-29-2011 |                     |            |