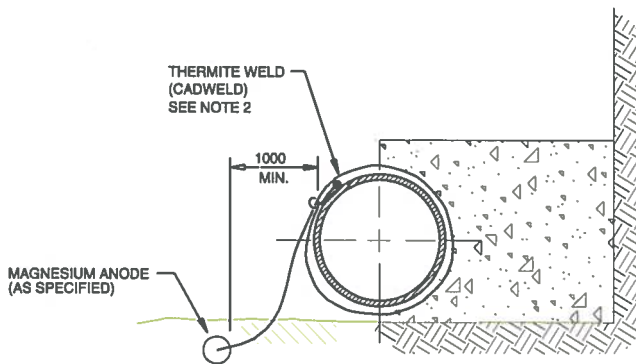
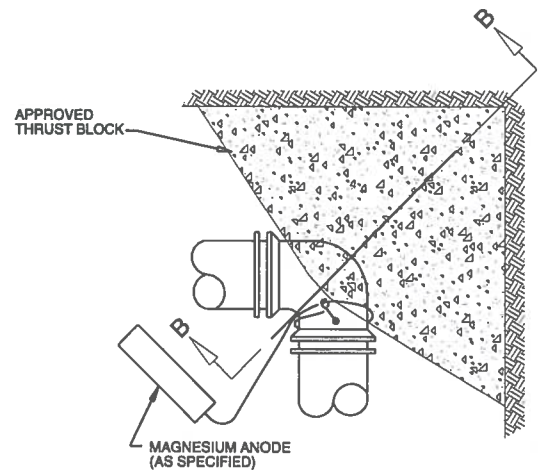


SECTION A-A



SECTION B-B



NOTES:

1. ANODE TO BE PLACED AT LEAST 1.0 m AWAY FROM THE FITTING AND AS DEEP AS THE BOTTOM OF THE FITTING. MINIMUM DISTANCE BETWEEN ANODES TO BE 1.0 m.
2. ALL WELDED CONNECTIONS TO BE COATED WITH "ROYBOND 747" PRIMER AND ROYSTON "HANDY CAP" OR APPROVED EQUAL.
3. ALL CATHODIC PROTECTION AS PER DWG. A2732

ALL DIMENSIONS IN MILLIMETERS EXCEPT WHERE NOTED.

PETERBOROUGH UTILITIES COMMISSION

TITLE	No.	REVISION	DATE
CATHODIC PROTECTION FOR VALVES & METALIC FITTINGS ON NON-METALLIC PIPE	1.		
	2.		
DRAWN BY <i>[Signature]</i>	SCALE NOT TO SCALE		DRAWING No.
DESIGNED <i>[Signature]</i>	JOB COST		
APPROVED <i>[Signature]</i>	DATE APRIL 19, 2011		A2733