

# METRIC

Dimensions are in Metres unless otherwise shown

PETERBOROUGH UTILITIES SERVICES INC.  
1867 Ashburnham Drive  
Peterborough, Ontario K9J 6Z5

FAX 748-0120  
PHONE (705) 748-9301

No.	REVISIONS	Date	App.
1	ADD SWINGS (DETAIL 'D')	19 OCT. 2007	
2	REMOVE "COPPER" DESIGNATION	16 APR. 2010	

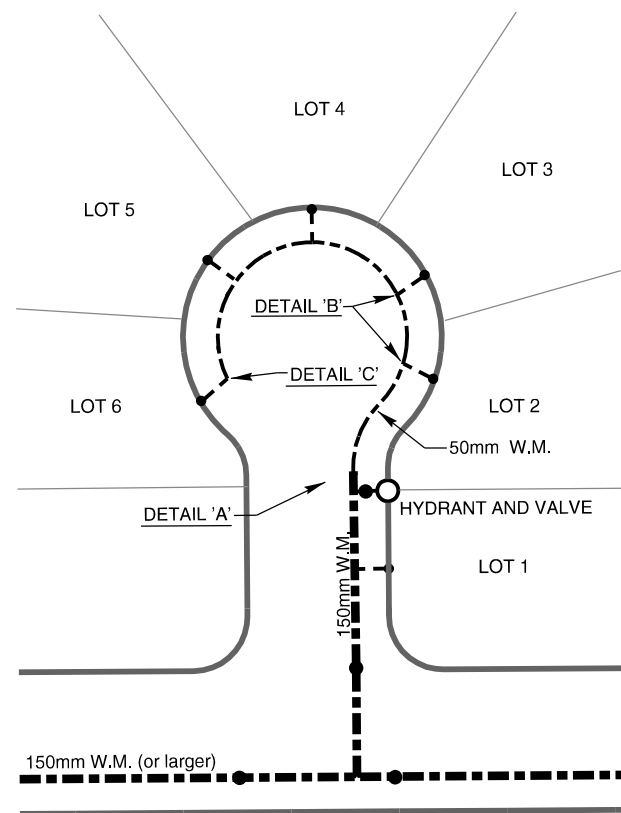
## LEGEND

## PETERBOROUGH UTILITIES SERVICES INCORPORATED

TITLE

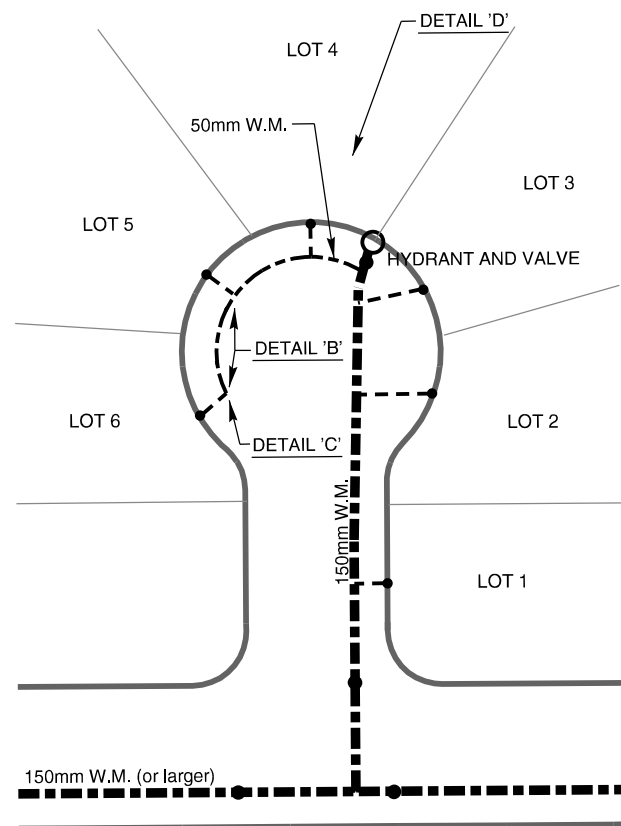
### WATERMAIN LAYOUT FOR CUL-DE-SACS

DRAWN BY	<i>Steve Bilinger</i>	SCALE	NOT TO SCALE
DESIGNED	<i>Paul Duff</i> C.E.T.	JOB COST	
APPROVED	<i>[Signature]</i>	DRAWING No.	
DATE	16 APRIL 2010	CADD	<b>B1917</b>



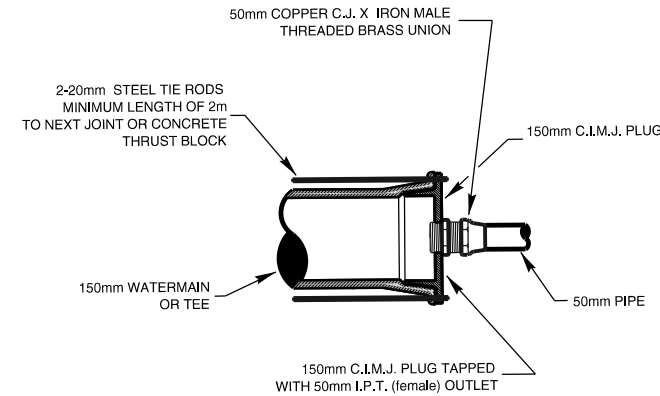
### CUL-DE-SAC

OPTION 'A'  
Not to scale



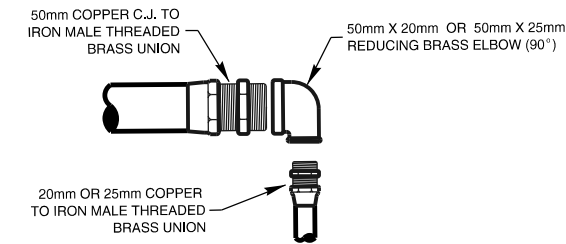
### CUL-DE-SAC

OPTION 'B'  
(Not to scale)



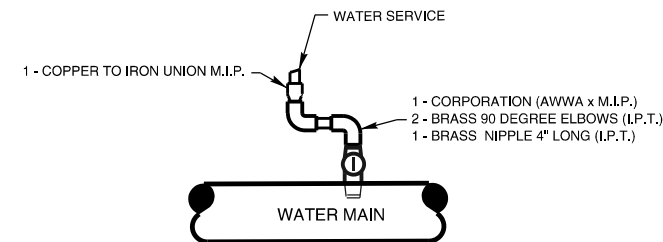
### DETAIL 'A'

OPTION 'A'  
Not to scale



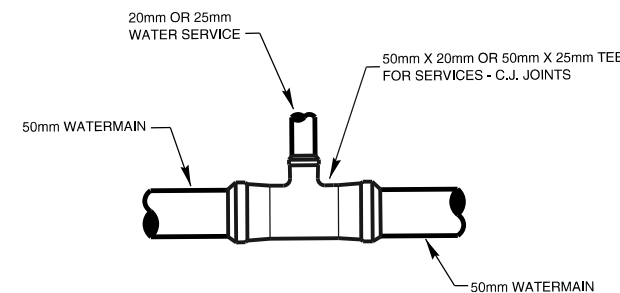
### DETAIL 'C'

Not to scale



### DETAIL 'D'

OPTION 'B'  
Not to scale



### DETAIL 'B'

Not to scale

## NOTES

- Design "option B", may be used where normal water service installations create conflict with other utilities.
- No more than 8 lots shall be serviced from the 50mm watermain.
- All joints shall be threaded iron pipe union or compression.
- Water services to be equipped with a zinc anode.