

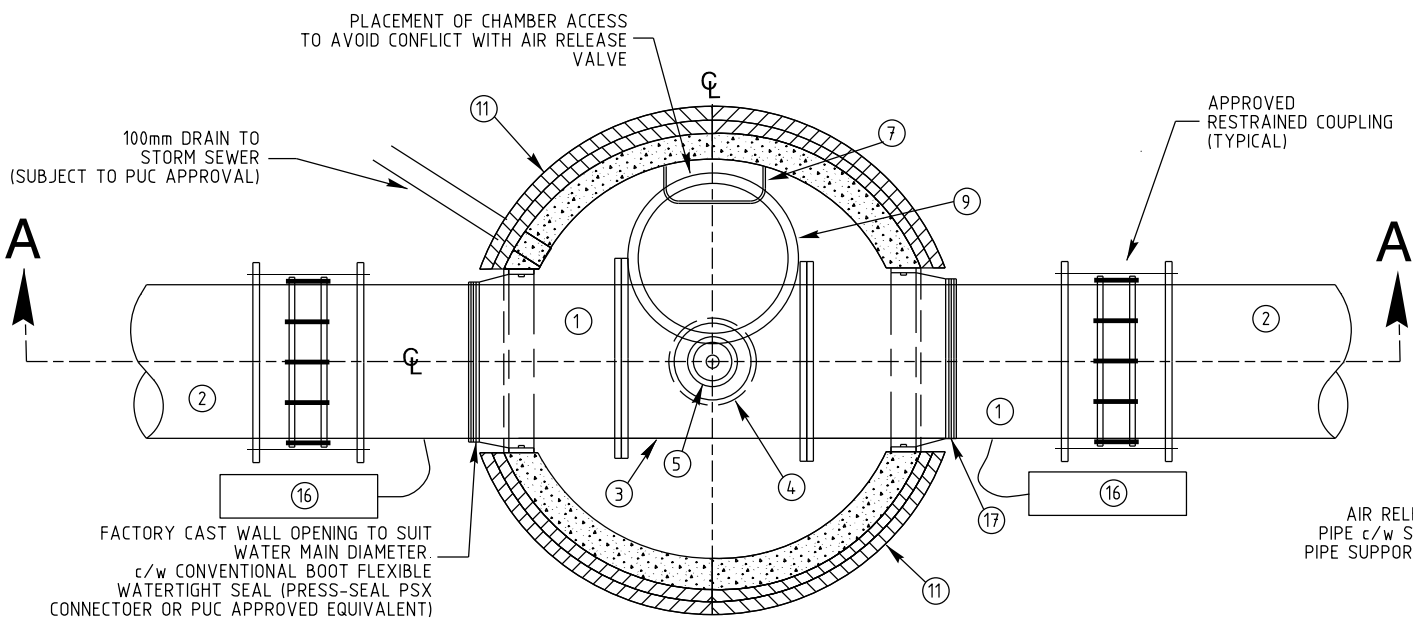
METRIC

Dimensions are in millimetres unless otherwise shown

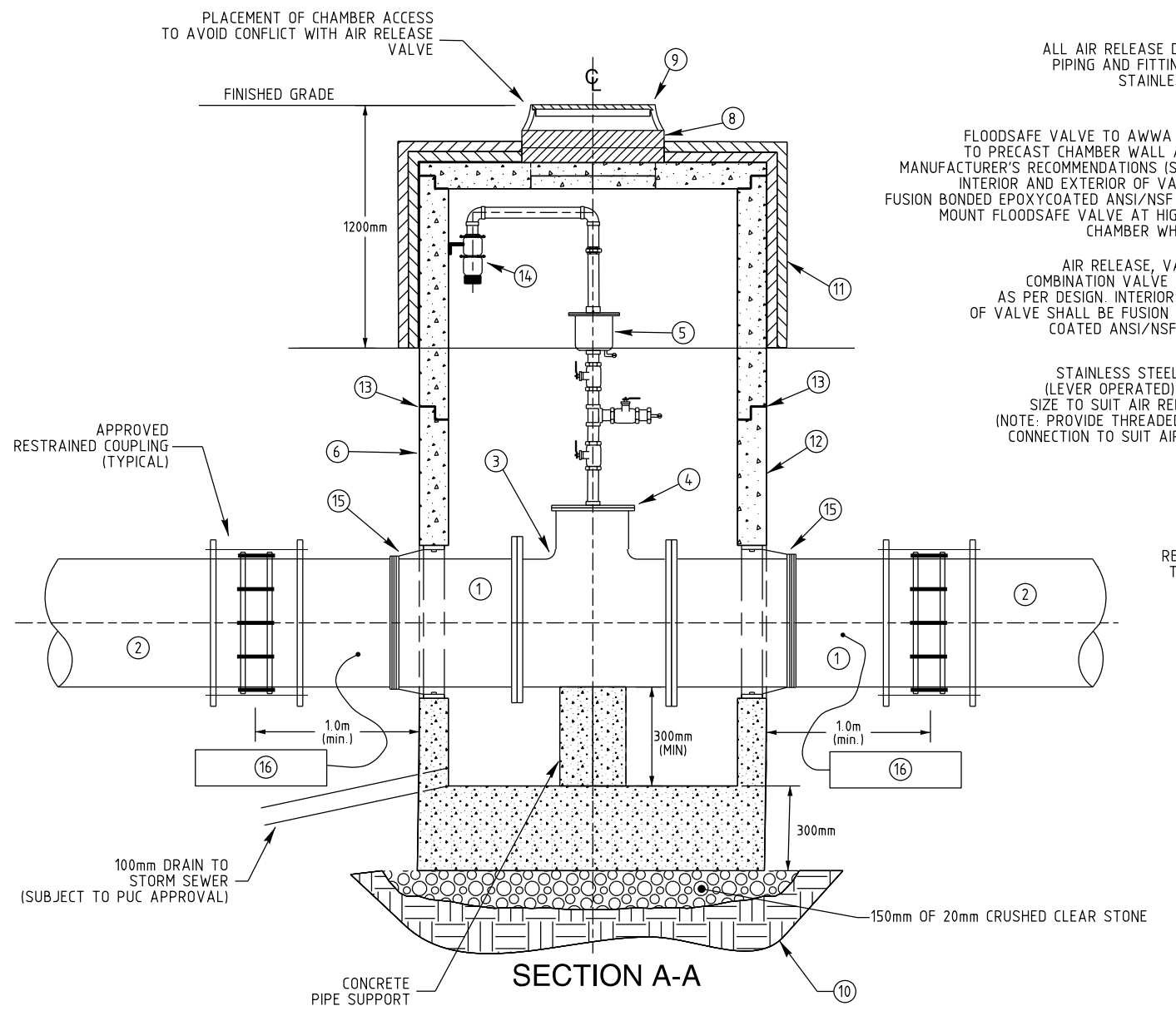
PETERBOROUGH UTILITIES SERVICES INC. 1867 Ashburnham Drive Peterborough, Ontario K9J 6Z5 FAX 748-0120 PHONE (705) 748-9301

No.	REVISIONS	Date	App.

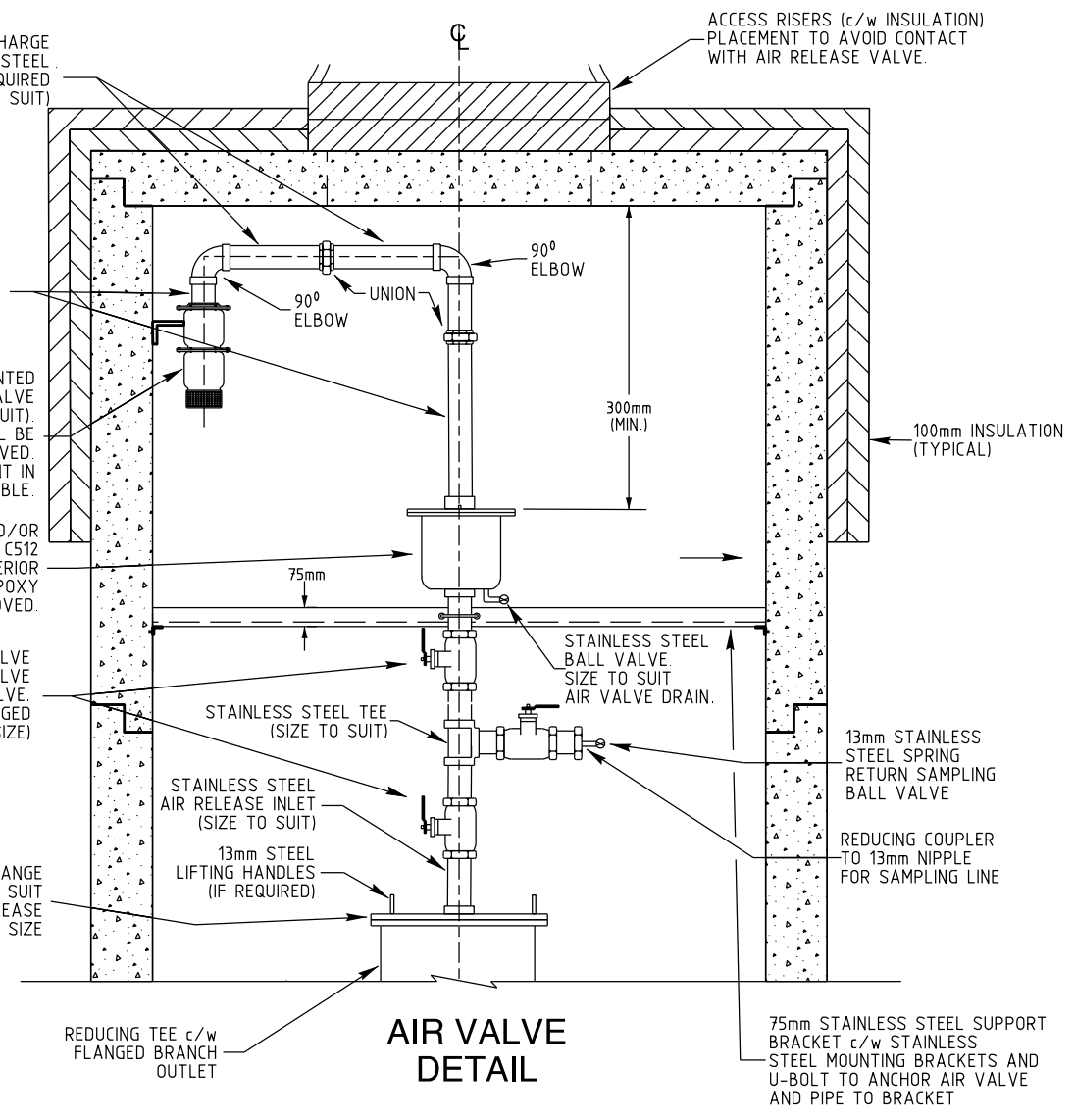
- | ITEM | ITEM DESCRIPTION |
|------|-------------------------------------------------------------------------------------------------------------------------------------------------|
| 1. | WATER MAIN PIPES INSIDE CHAMBER TO BE CEMENT LINED DUCTILE IRON. |
| 2. | WATER MAIN OUTSIDE CHAMBER CAN BE OR PVC OR PUC APPROVED ALTERNATE. |
| 3. | REDUCING TEE c/w 150mm DIA. FLANGED BRANCH OUTLET. |
| 4. | BLIND FLANGE TAPPED TO SUIT AIR VALVE SIZE (SEE TABLE). |
| 5. | AIR RELEASE, VACUUM AND/OR COMBINATION VALVE AS PER DESIGN. |
| 6. | CIRCULAR PRECAST 1800mm DIAMETER CHAMBER. (AS PER ASTM SPEC. C-478) |
| 7. | CHAMBER STEPS AT 300mm SPACING (FIRST STEP AT 75mm BELOW FRAME) |
| 8. | APPROVED ADJUSTMENT UNITS (MAXIMUM 400mm) |
| 9. | TYPE "A" CLOSED COVER AND FRAME c/w MAN HOLE COLLECTION TRAY. (CRETEX INFLOW DISH OR EQUIVALENT) |
| 10. | UNDISTURBED GROUND. |
| 11. | EXTERIOR CHAMBER INSULATION (100mm) TO BE HIGH DENSITY EXTRUDED POLYSTYRENE FOAM (H.I.35) |
| 12. | EXTERIOR SURFACES BELOW GRADE TO BE WATERPROOFED USING MEL ROL (WR MEADOWS) OR APPROVED EQUIVALENT, INSTALLED TO MANUFACTURER'S SPECIFICATIONS. |
| 13. | PRECAST CHAMBER SECTION JOINTS TO BE SEALED WITH A RUBBER GASKET. |
| 14. | VAL-MATIC FLOODSAFE BACK FLOW PREVENTER (OR AN APPROVED EQUIVALENT) |
| 15. | CONVENTIONAL BOOT FLEXIBLE WATERTIGHT SEAL (PRESS-SEAL PSX CONNECTOR OR PUC APPROVED EQUIVALENT) |
| 16. | 32lb MAGNESIUM ANODE ON DUCTILE WATER MAIN (BOTH SIDES OF CHAMBER) |



PLAN VIEW



SECTION A-A



AIR VALVE DETAIL

SUPERCEDES
DRAWING B1779

PETERBOROUGH UTILITIES COMMISSION

TITLE		COMBINATION AIR RELEASE VALVE CHAMBER	
DRAWN BY	Steve Billings	SCALE	Not to Scale
DESIGNED		JOB COST	
APPROVED	Kevin Conlin P.Eng	DRAWING No.	
DATE	May 14, 2020	CADD	B3423